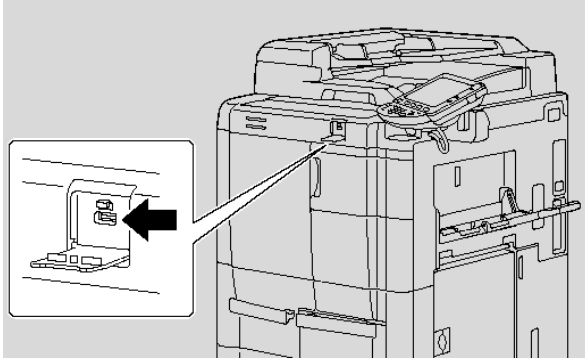


## (1) Operation Instruction

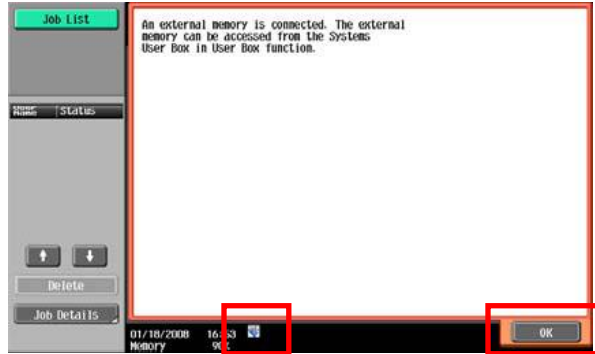
(i) Press [User Box]



(ii) Connecting an external USB memory device to the USB connector on the front of this machine.



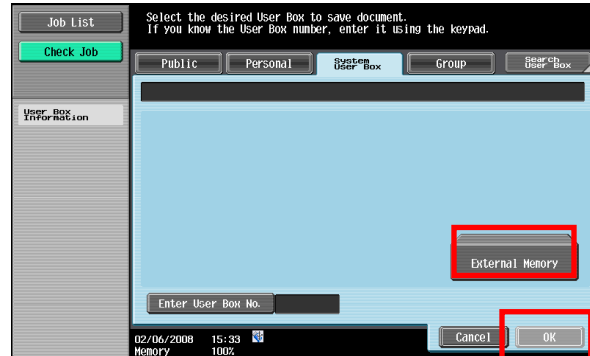
(iii) When the external memory is connected successfully, an icon appears on the bottom of the screen and the following screen appears. Press [OK].



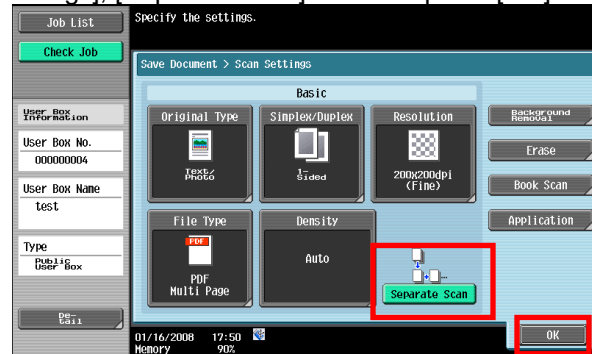
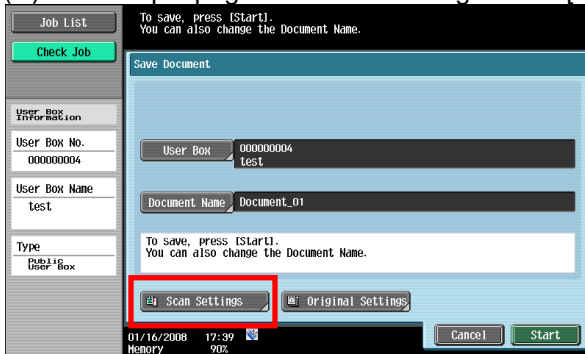
(iv) Select [Save Document].



(v) Select [External Memory], and then select [OK].



(vi) For multiple page PDF file scanning. Select [Scan Settings], [Separate Scan] and then press [OK].



(vii) Press [Start] to Scan



## (2) What kinds of external memory devices can be used on this machine?

- USB flash memory supporting the USB (1.1/2.0) Interface in FAT32 format
- The recommended memory size is up to 2 gigabytes (this machine may not operate if the memory size exceeds 4 gigabytes)
- Password / securities function must be disabled
- Multiple-drives devices will not be recognized on this machine

## (3) Reminder

- Do not remove the external memory device while a document is being saved
- File can be saved as PDF, TIFF and XPS
- Enter the file path and file name of up to 250 characters. If 250 characters are exceeded, file list cannot be displayed.